

NetX Ethernet to Serial

Protocol converter

Highlights

- Interconnection of serial RS-232/422/485 and Ethernet networks
- Transparent conversion of serial protocols in to UDP or TCP/IP packets
- Modbus/TCP/UDP - RTU/ASCII protocol
- Serial and IP parameters setup through web interface
- LED indications
- Galvanic isolation of Ethernet line
- Optional galvanic isolation of power supply and power over Ethernet (PoE)
- 35mm DIN rail mounting



Description

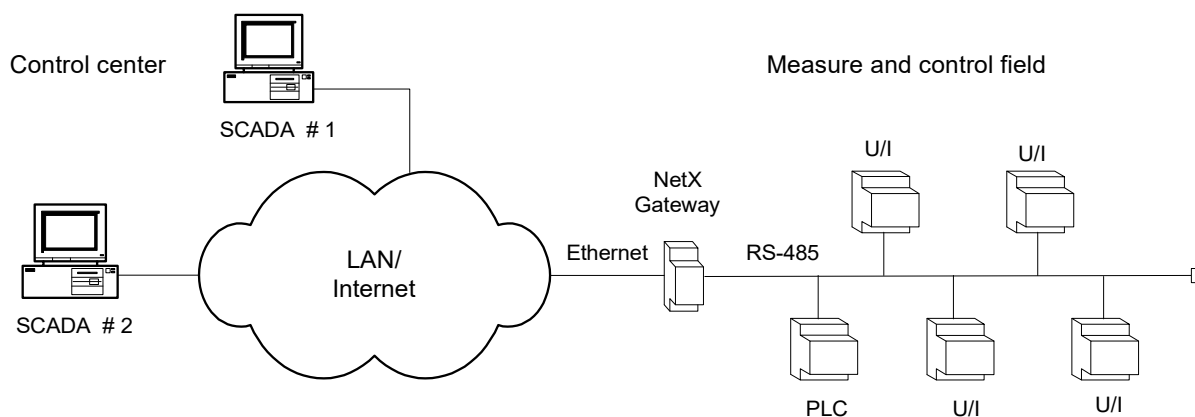
NetX Ethernet converter enables interconnection of serial RS-232/422/485 line and Ethernet network with transparent conversion of serial protocols in to UDP or TCP/IP packets. NetX provides conversion of physical and electrical interfaces, way of medium access and speeds between two communication networks.

NetX acts as independent network device with own Ethernet address and adjustable network parameters: IP address, subnet mask and default gateway. Adjusting of network parameters is provided over local computer network in which are placed NetX converter and PC for adjusting.

Application

NetX Ethernet converter is suitable for applications in industrial communications and process automation, alarm systems and telemetry. It is used for:

- interconnection of distributed I/O modules and PLCs, in measure and control fields, in to computer network
- surveillance of optical nodes in cable distributed systems
- interconnection of VHF/UHF radio and LAN networks



Technical specification

Serial communication	
Interface	RS-232DTE, TxD, RxD, DTR, DSR, DCD, RTS, CTS RS-422/485, 120R termination for Tx and Rx, RTS/ON control
Connection	DB9 male
Speed	50, 110, 134, 150, 200, 300, 600, 1200, 2400, 3600, 4800, 9600, 19200, 38400, 57600, 115200, 230400
Format	5, 6, 7, 8 bits; parity: none, odd, even, mark, space; 1, 2 stop bits
Protocol	transparent (virtual serial port) Serial Bridge Modbus TCP/UDP master/slave – RTU/ASCII PPP server
Flow control	software (XON/XOFF), hardware (CTS/RTS), none

Ethernet communication	
Interface	Ethernet, IEEE 802.3
Physical layer	10/100 Base-T
Speed	10/100 Mbps (auto-sensing)
Mode	half-duplex or full-duplex (auto-sensing)
Protocol	UDP, TCP/IP
IP parameters	IP address, subnet mask, default gateway
Number of connections	1
Connection	RJ45

General	
LED indicators	PWR, TxD, RxD, DTR, LAN, LINK
Power supply	8 – 32VDC, 9 – 36VDC isolated, 18 – 72VDC isolated, PoE
Power consumption	5Wmax
Connection	Pluggable screw clamp, 1.5mm ²
Overvoltage protection	tranzorb on RS-422/485 line
Working temperature	-25 up to 70°C
Mounting	35mm DIN rail
Dimension	95x35x80mm

Model	
NetX Ethernet to Serial	NetX Ethernet with RS-232/422/485 communication connection and power supply in range 8-32VDC
NetX Ethernet to Serial-ISO	NetX Ethernet with RS-232/422/485 communication connection and isolated power supply in range 9-36VDC
NetX Ethernet to Serial-ISO-HV	NetX Ethernet with RS-232/422/485 communication connection and isolated power supply in range 18-72VDC
NetX Ethernet to Serial-ISO-PoE	NetX Ethernet with RS-232/422/485 communication connection and isolated power over Ethernet

DECODE d.o.o.

Bulevar Nikole Tesle 30A

11080 Belgrade, Serbia

Tel: +381 11 311 0027

E-mail: office@decode.rs

www.decode.rs

Legal notice

Reproduction, transfer, distribution or storage of part or all of the contents in this document in any form without the prior written permission is prohibited. All rights reserved. All trademarks mentioned herein belong to their respective owners.

Copyright © 2018 Decode

Disclaimer

Decode has used reasonable care in preparing the information included in this document, but does not warrant that such information is error free.

Decode, its associates, representatives, employees, and others acting on its behalf disclaim any and all liability for errors, inaccuracies, or incompleteness contained in any datasheet or in any other disclosure relating to any product.

In the interest of continuous product development, the Decode reserves the right to make improvements to this manual and the products described in it at any time and without prior notification or obligation.

The use of the product is at sole discretion of the user. Decode cannot be held responsible for any damages arising due to use of this product and makes no warranty, representation or guarantee regarding the suitability of the products for any particular purpose or the continuing production of any product.

Note: The specifications in this document are valid as of the listed versions of software and/or hardware. Revised versions of this document, as well as software and driver updates are available in the download area of the Decode web site.